



Gas Series

# G958

Beautiful and powerful, this stove is ideal for heating medium size environments stove while featuring elegantly decorated majolica cladding.



Yellow



Lava Red



Dark Copper

## TECHNOLOGIES

Air Flow System – Absolute comfort with floor level heat output

Structure – High Thickness

Safety – For assurance and peace of mind

Majolica cladding – Unique hand-made Ceramic

ALUKER – Refractory ceramic material

Remote Control System – Smart command

Manufactured/mobile home approved

## TECHNICAL DATA

BTU Input NG: 18,000 BTU

BTU Input LP: 18,000 BTU

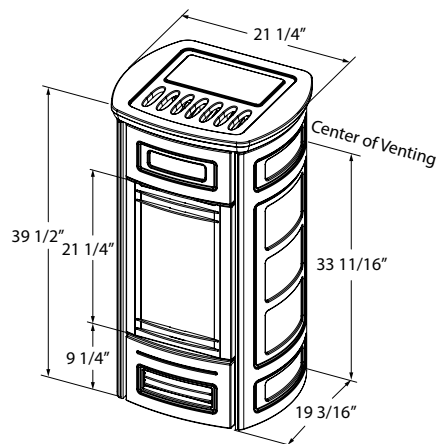
P.4 Efficiency NG : 70.4%

P.4 Efficiency LP : 70.4%

AFUE : 72%

Dimensions WxDxH : 21 1/4 x 19 3/16 x 39 1/2 in

Total weight : 225 lbs



NORTH AMERICA

[www.piazzetta.com](http://www.piazzetta.com)