

E228 M-H 5

STELLE

A new generation of stoves developed according to Ecodesign 2022 criteria, featuring optimised environmental performances and high functional characteristics.



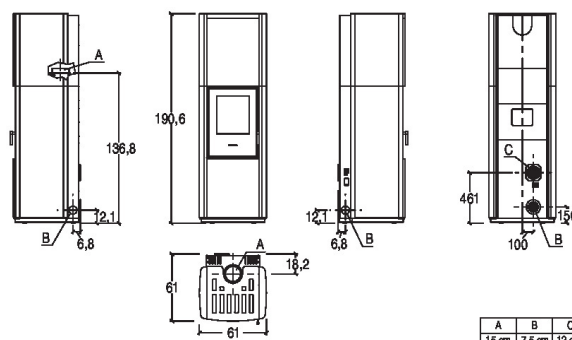
GENERAL FEATURES

- Hybrid wood-pellet stove with natural draught: yes
- Automatic switching wood-pellet/pellet-wood: yes
- Heating: Optional HSS Storage / Natural convection / Ductable forced ventilation
- HSS Heat Storage System: optional
- Natural Mode: yes
- Pellet Quality System Function: yes
- Eco / Energy Saving function: yes / yes
- Timer-controlled thermostat with programming: 6 daily time frames
- Cladding / Top: majolica / majolica
- Radiant Majolica: yes
- One-piece firebox: airtight in steel
- Firebox: cast iron
- Door / Handle: cast iron with ceramic glass resistant to 750°C / steel and silicone
- Flue gas deflector / Brazier: Aluker® / cast iron
- Raised pellet brazier: yes
- Power levels: 5
- Double auger with bottom feeding: yes
- Control panel with digital controls: yes
- Cyclic brazier cleaning: yes
- Glass cleaning: continuous air flow
- Installation: flush with the wall - corner
- Warning system in case of abnormal pellet tank and door opening: yes
- Wood re-load warning: yes
- Flue malfunction detection sensor: yes
- Tertiary air system in pellet mode: yes
- Controlled unlocking system of pellet tank and door: yes
- Ambient probe for temperature control: as standard feature
- Remote control with LCD display:
- Humidifier: stainless steel
- Multifuco System®: with 4 speed levels, manually or automatically controlled, optional
- Module WiFi - Bluetooth for MyPiazzetta App: standard
- Ash vacuum cleaner: as standard feature
- Removable ash pan: yes
- Pellet level indicator: on remote control
- Multicomfort / Multicomfort Plus: standard
- Standard flue outlet position: top or rear

TECHNICAL DETAILS

- Model E228 M-H
- Rated efficiency power % 87,0
- Efficiency - min power % 85,1
- Rated output max kW 8,0
- Rated output min kW 3,9
- Rated consumption max kg/h 1,8
- Rated consumption min kg/h 0,9
- Dimensions D cm 61
- Dimensions W cm 61
- Dimensions H cm 190,6
- Weight kg 325
- Stove weight with HSS kg 548

COVERS



A	B	C
15 cm	7,5 cm	12 cm